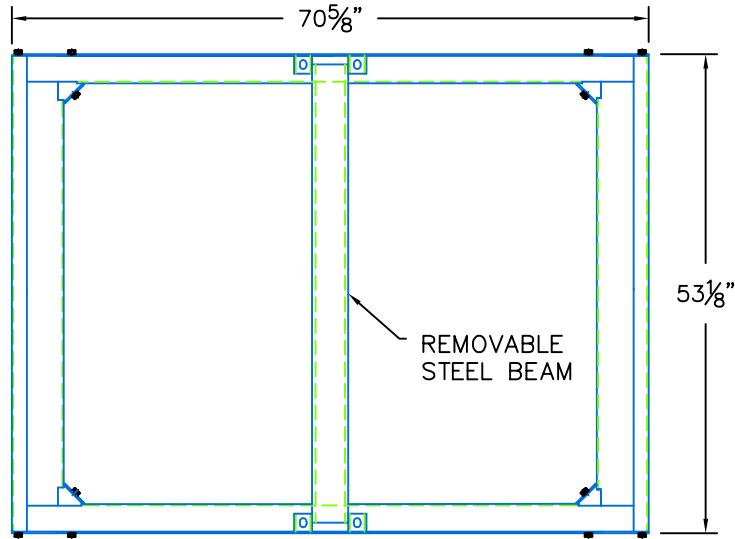




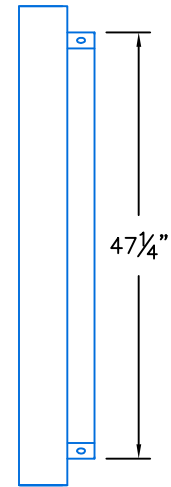
# MADRUGA IRON WORKS, INC.

Metal Fabrication and Machining

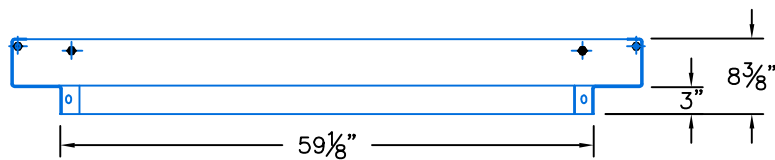
305 GANDY DANCER, TRACY, CA 95377 Ph: (209) 832-7003 Fax: (209) 832-2444  
www.madrugaironworks.com



PLAN VIEW



END VIEW



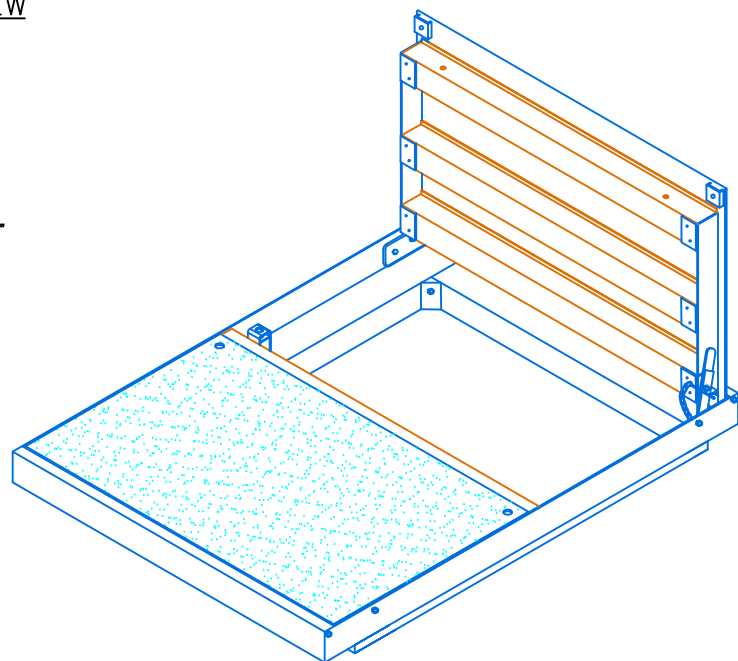
SIDE VIEW

## 48" x 60" (Nominal) MIW Style Aluminum Cover Assembly

**Loading: AASHTO H-20 - Traffic Loading**  
**Live Load: 16,000 lb. Wheel Load -**  
**Impact: 0.00%**  
**(NOT FOR STEET USE)**

### NOTES:

1. ALUMINUM, SLIP RESISTANT COVER
2. 90° OPENING
3. BOLT-DOWN (4-PLACES)
4. HINGED, TORSION SPRING ASSIST
5. REMOVABLE CENTER BEAM
6. ADJUSTABLE FRAME
7. GALVANIZED FRAME



ISOMETRIC DETAIL