



MADRUGA IRON WORKS, INC.

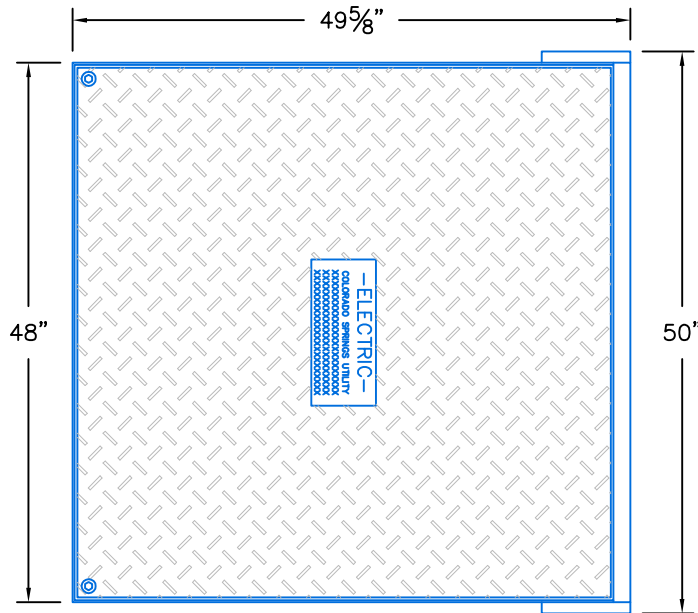
Metal Fabrication and Machining

305 GANDY DANCER, TRACY, CA 95377

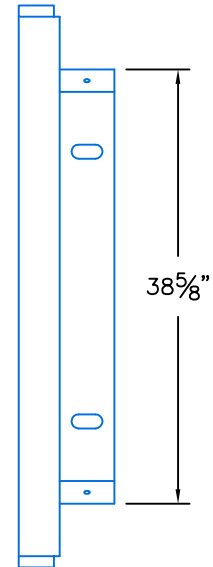
Ph: (209) 832-7003

Fax: (209) 832-2444

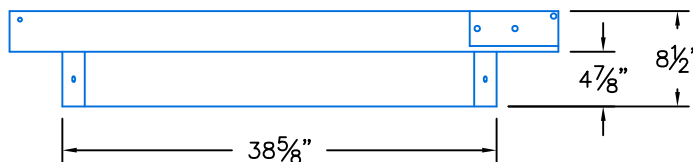
www.madrugaironworks.com



PLAN VIEW



END VIEW



SIDE VIEW

48" x 48" (Nominal) Colorado Style Frame & Cover Assembly

Approximate Weight: 340 lbs

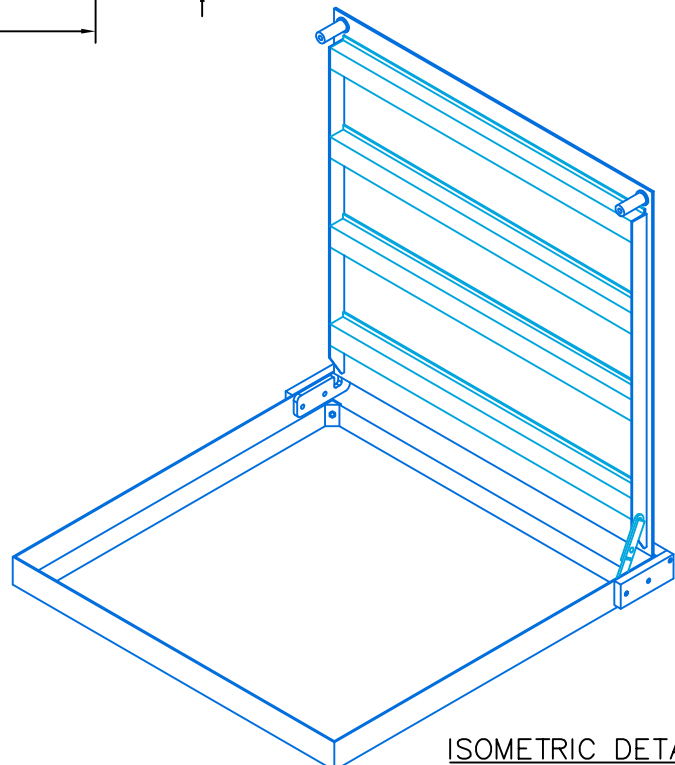
Loading: Pedestrian Loading

Live Load: 300 lb/sq. ft. -

Impact: 0.00%

NOTES:

1. STEEL, DIAMOND PLATE COVER
2. CLEAR OPENING
3. BOLT-DOWN (2-PLACES)
4. HINGED
5. CAPABLE OF 180° OPENING
6. TORSION ASSIST
7. ADJUSTABLE FRAME
8. GALVANIZED



ISOMETRIC DETAIL