

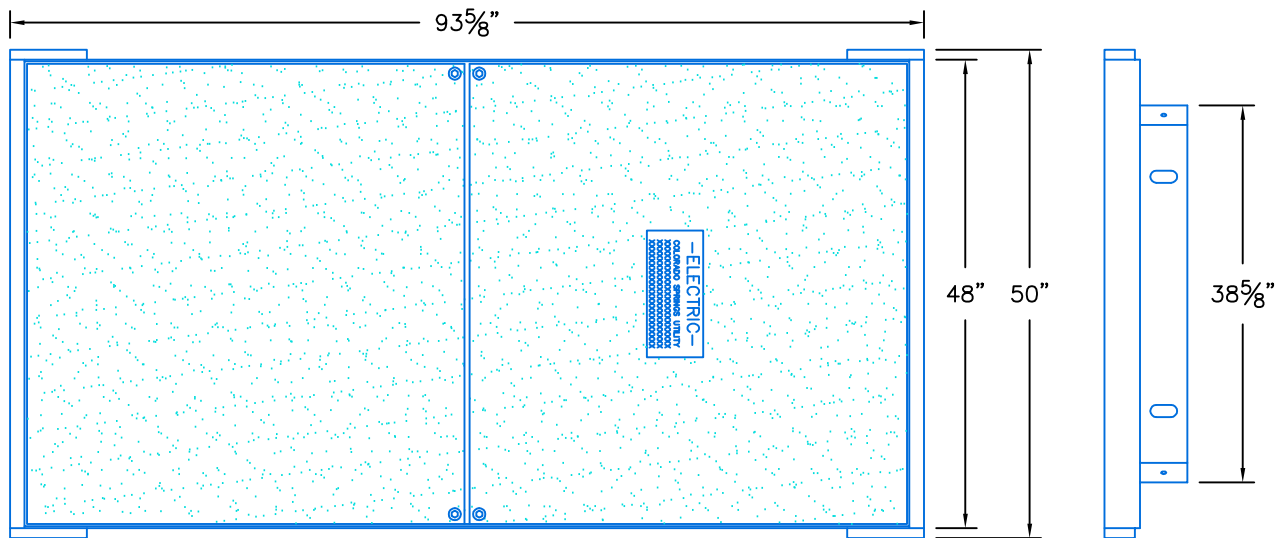


MADRUGA IRON WORKS, INC.

Metal Fabrication and Machining

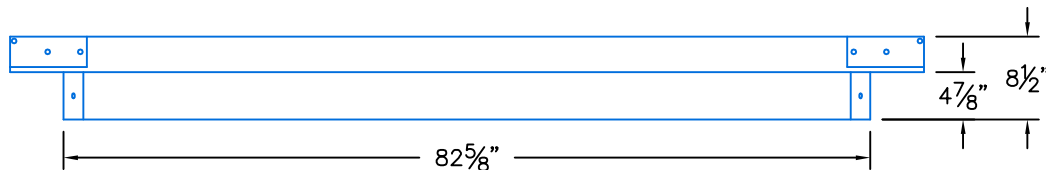
305 GANDY DANCER, TRACY, CA 95377
www.madrugaironworks.com

Ph: (209) 832-7003 Fax: (209) 832-2444



PLAN VIEW

END VIEW



SIDE VIEW

48" x 92" (Nominal) Colorado Style Frame & Cover Assembly

Approximate Weight: 430 lbs

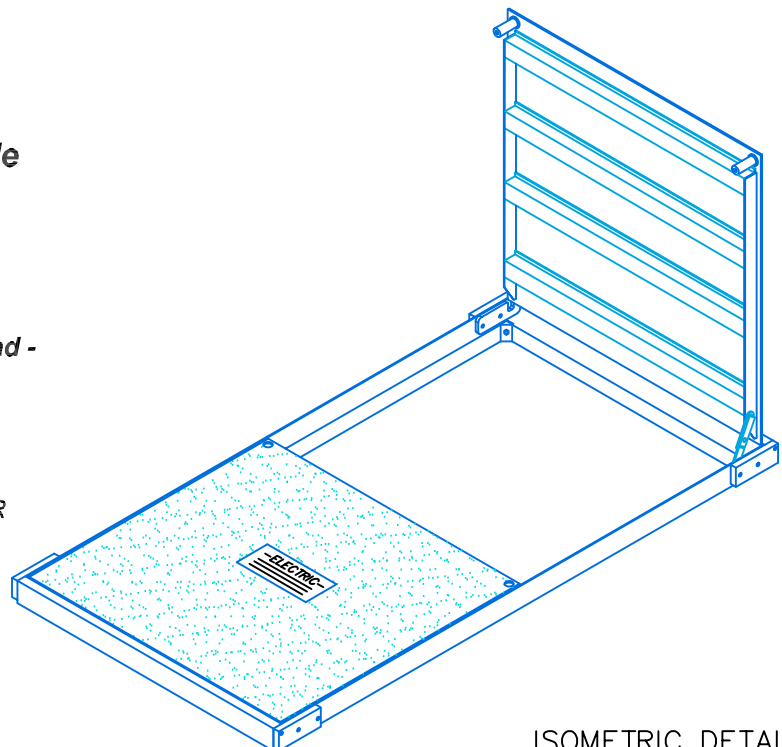
Loading: AASHTO H-20 - Traffic Loading

Live Load: 16,000 lb. Wheel Load -

Impact: 0.00%

NOTES:

1. ALUMINUM, SLIP-RESISTANT COVER
2. CLEAR OPENING
3. BOLT-DOWN (4-PLACES)
4. HINGED
5. CAPABLE OF 180° OPENING
6. TORSION ASSIST
7. ADJUSTABLE FRAME
8. GALVANIZED



ISOMETRIC DETAIL