

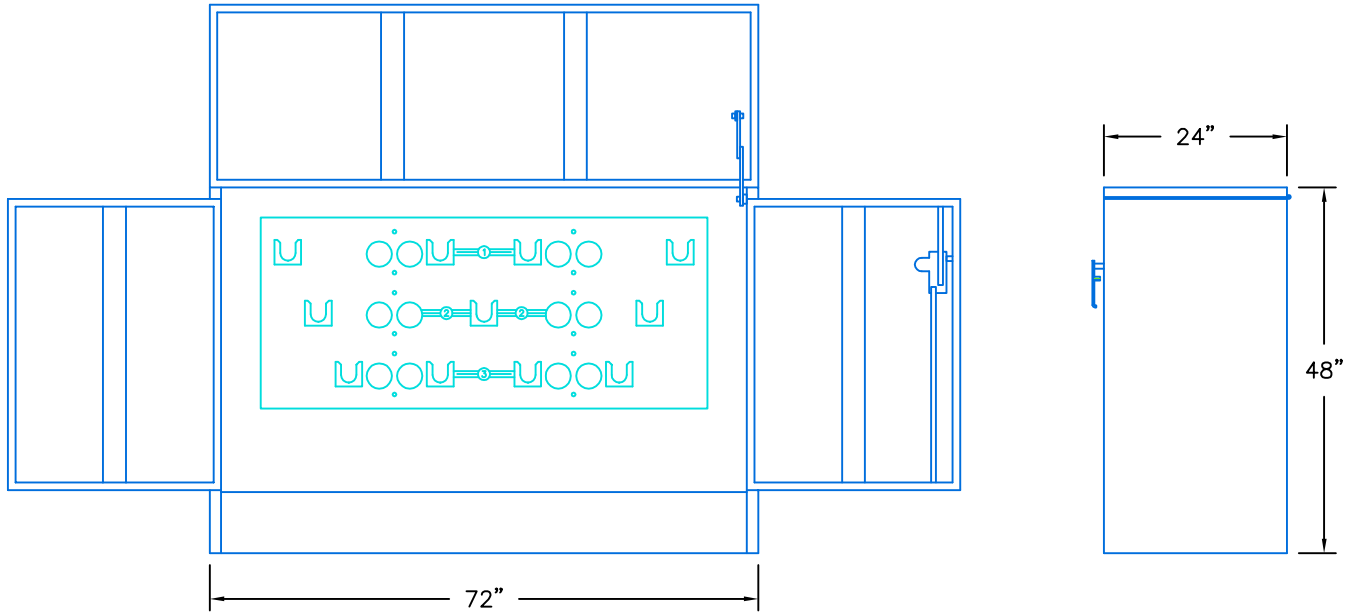


# MADRUGA IRON WORKS, INC.

Metal Fabrication and Machining

305 GANDY DANCER, TRACY, CA 95377  
www.madrugaironworks.com

Ph: (209) 832-7003 Fax: (209) 832-2444



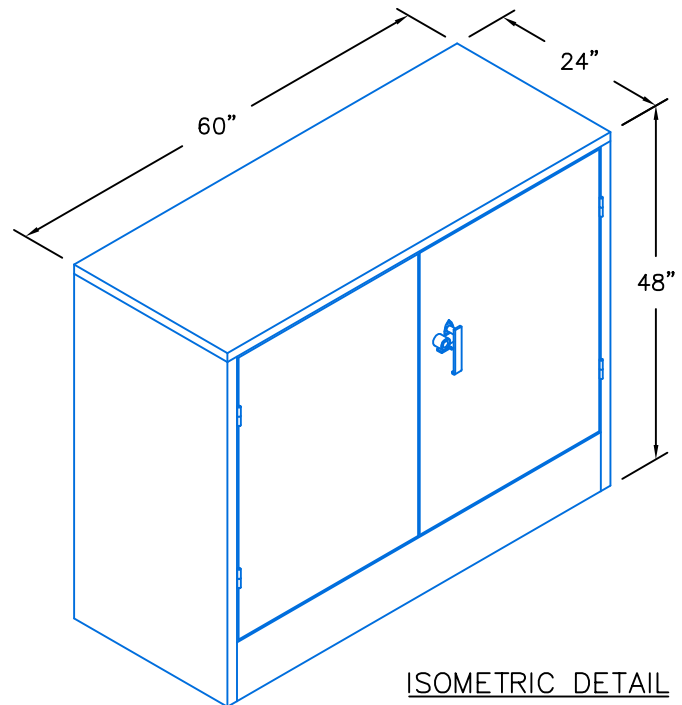
FRONT VIEW (OPEN)

SIDE VIEW

## Pad Mounted Loadbreak Junction

Approximate Weight: xxxx lbs

|                                 |                   |
|---------------------------------|-------------------|
| 3-Wire, 4-Way - Mild Steel      | PG&E Code: 360041 |
| 3-Wire, 4-Way - Stainless Steel | PG&E Code: 360040 |
| 2-Wire, 4-Way - Mild Steel      | PG&E Code: 360042 |
| 2-Wire, 4-Way - Stainless Steel | PG&E Code: 360043 |



ISOMETRIC DETAIL

NOTES:

1. STAINLESS STEEL HINGES